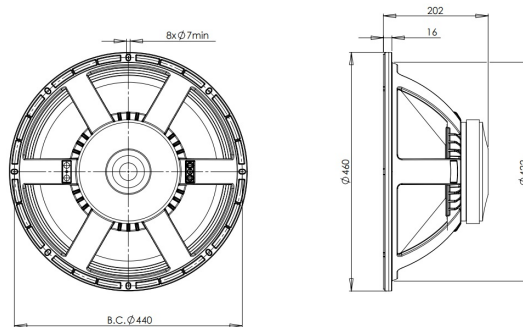


# 18PS76

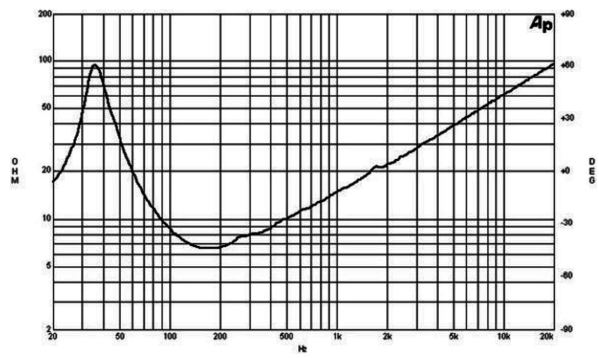
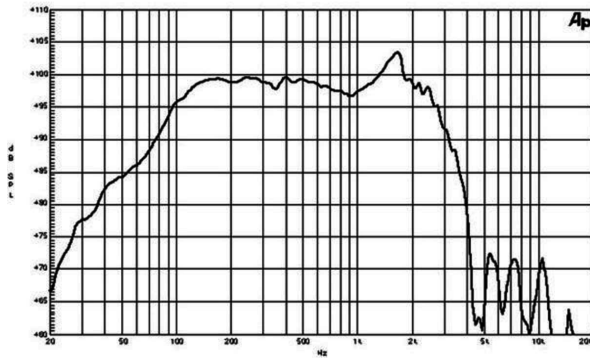
**8Ω****LF Drivers - 18.0 Inches**

- 1200 W continuous program power capacity
- 76 mm (3 in) copper voice coil
- 40 - 2000 Hz response
- 99 dB sensitivity
- Double silicone spider with optimized compliance



# 18PS76

LF Drivers- 18.0 Inches



## SPECIFICATIONS

Nominal Diameter	460 mm (18.0 in)
Nominal Impedance	8 $\Omega$
Minimum Impedance	6.5 $\Omega$
Nominal Power Handling <sup>1</sup>	600 W
Continuous power handling <sup>2</sup>	1200 W
Sensitivity (1W/1m) <sup>3</sup>	99.0 dB
Frequency Range	40 - 2000 Hz
Voice Coil Diameter	76 mm (3.0 in)
Winding Material	Copper
Former Material	Glass Fibre
Winding Depth	24.0 mm (0.92 in)
Magnetic Gap Depth	11.0 mm (0.4 in)
Flux Density	1.25 T

## DESIGN

Surround Shape	Triple Roll
Cone Shape	Exponential
Magnet Material	Ferrite
Spider	Double Silicone
Pole Design	Straight Pole
Woofer Cone Treatment	TWP Waterproof Both Sides
Recommended Enclosure	150.0 dm <sup>3</sup> (5.3 ft <sup>3</sup> )
Recommended Tuning	45 Hz

## PARAMETERS<sup>4</sup>

Resonance Frequency	39 Hz
Re	5.0 $\Omega$
Qes	0.29
Qms	6.1
Qts	0.27
Vas	207.0 dm <sup>3</sup> (7.2 ft <sup>3</sup> )
Sd	1210.0 cm <sup>2</sup> (187.6 in <sup>2</sup> )
$\eta_0$	4.0 %
Xmax	$\pm$ 7.0 mm
Xvar	$\pm$ 8.0 mm
Mms	149.0 g
Bl	25.8 T $\cdot$ m
Le	1.9 mH
EBP	134 Hz

## MOUNTING AND SHIPPING INFO

Overall Diameter	460 mm (18.0 in)
Bolt Circle Diameter	440 mm (17.3 in)
Baffle Cutout Diameter	422.0 mm (16.6 in)
Depth	202 mm (7.95 in)
Flange and Gasket Thickness	16 mm (0.62 in)
Air Volume Occupied by Driver	9.0 dm <sup>3</sup> (0.32 ft <sup>3</sup> )
Net Weight	10.7 kg (23.5 lb)
Shipping Units	1
Shipping Weight	12.4 kg (27.34 lb)
Shipping Box	500x495x275 mm (19.69x19.49x10.83 in)

## SERVICE KIT

Recone kit	RCK18PS768
------------	------------

- 2 hours test made with continuous pink noise signal within the range Fs-10Fs. Power calculated on rated minimum impedance. Loudspeaker in free air.
- Power on Continuous Program is defined as 3 dB greater than the Nominal rating.
- Applied RMS Voltage is set to 2.83 V for 8 ohms Nominal Impedance.
- Thiele-Small parameters are measured after a high level 20 Hz sine wave preconditioning test.

B&C Speakers s.p.a.

Via Poggiomoro, 1 - Loc. Vallina, 50012 Bagno a Ripoli (FI) - ITALY - Tel. +39 055 65721 - Fax +39 055 6572312 - mail@bcspeakers.com